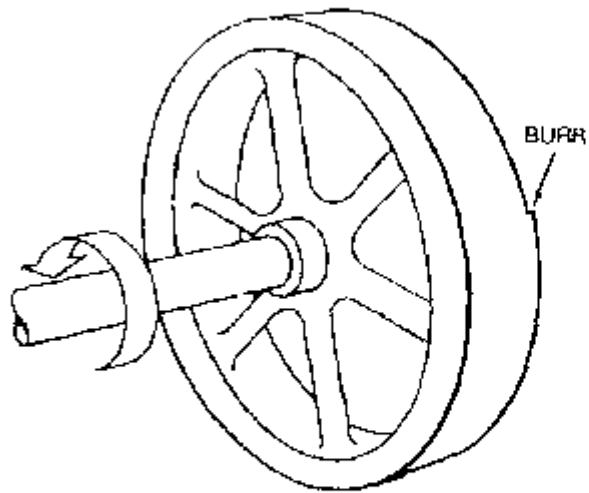


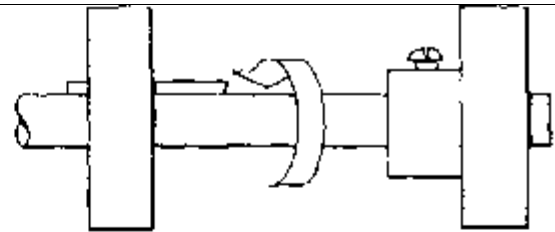


Examples of Hazardous Projections on Rotating Parts

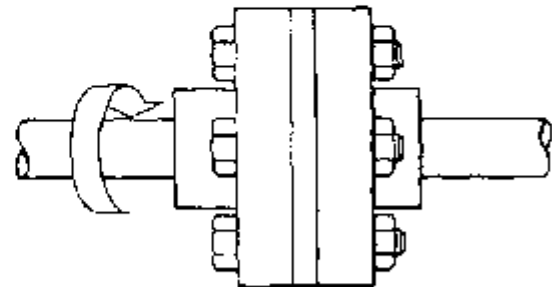
Environmental Health and Safety



ROTATING PULLEY WITH SPOKES AND PROJECTING BURR ON FACE OF PULLEY



ROTATING SHAFT AND PULLEYS WITH PROJECTING KEY AND SET SCREW



ROTATING COUPLING WITH PROJECTING BOLT HEADS