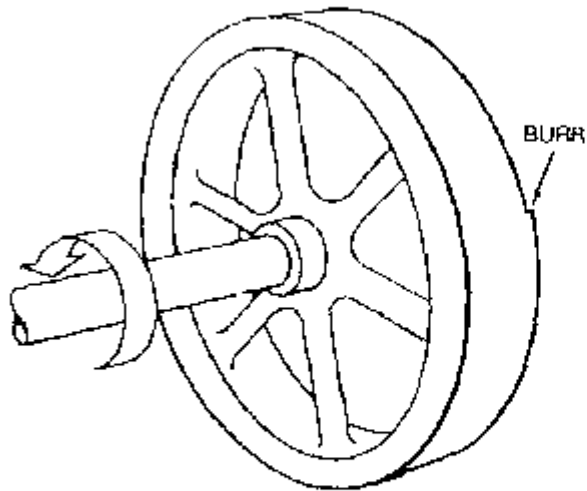


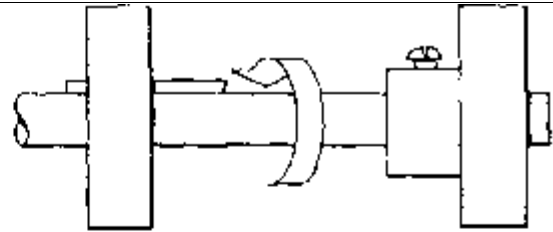


## Examples of Hazardous Projections on Rotating Parts

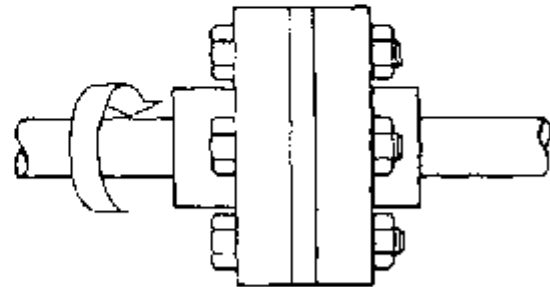
*Environmental Health and Safety*



ROTATING PULLEY WITH SPOKES AND PROJECTING BURR ON FACE OF PULLEY



ROTATING SHAFT AND PULLEYS WITH PROJECTING KEY AND SET SCREW



ROTATING COUPLING WITH PROJECTING BOLT HEADS